



SCREENS

STANDARD & SCALPING SOLUTIONS

Medium duty, Heavy duty, Extra heavy duty

Scalping screens

Standard & optional features

Custom screens, designed for individual requirements

ROCKTEC
Rock Technology



SCREENS

STANDARD & SCALPING SOLUTIONS

Rocktec has 15 years experience in the design and manufacture of screening solutions.

Rocktec offers three standard models of Screen, these are referred to as Medium, Heavy and Extra Heavy Duties. Each of these duties is available in a number of different size configurations, from 6' x 3' Single Deck Medium Duty to a 16' x 6' Triple Deck Extra Heavy Duty. Screens outside this range are available upon request.

All Rocktec screens come complete with sub-frames, drive assemblies and motor mounts. This ensures easy installation and accurate alignment of the drive system. Infeed plates are a standard feature on all Rocktec screens; this reduces wear on screen media at the infeed point and promotes product distribution.

Rocktec manufacture a complete range of Scalping Screens, from a 6' x 6' Heavy Duty to a 16' x 8' Double Extra Heavy Duty. These screens are designed with bolt-on scalping bars allowing for simple replacement and easy maintenance. All Rocktec Scalping Screens feature full wall armour plating.

Talk to your local Rocktec representative about the possibilities for your site.

➤ Medium, Heavy & Extra Heavy Duty Screens

Standard features include:

- heavy duty construction
- motor, belt and pulley
- adjustable weights
- clamp bars
- crown rail rubber
- infeed plate
- inspection ports for easy changing
- rubber flap for easy access
- heavy duty sub-frame
- easy access to all screen tension bolts

Optional features include:

- wedge bolts
- dust encapsulation
- rubber on infeed plate
- decks to suit polyurethane and harp wire
- special paint coatings
- various drive options

➤ Scalping Screens

Standard features include:

- heavy duty construction
- motor and cardan shaft drive
- adjustable weights
- tapered alloy bars on top deck
- armoured interior
- infeed plate
- side tensioned bottom deck
- heavy duty sub-frame
- easy access to all screen tension bolts

Optional features include:

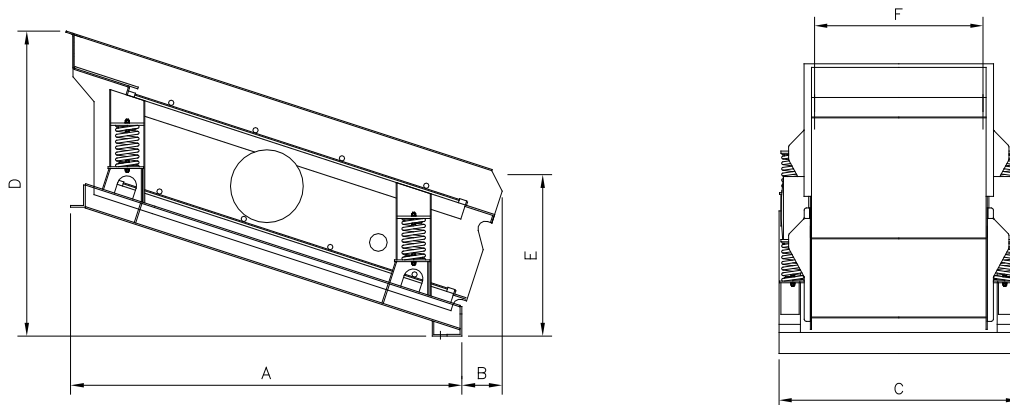
- extra heavy duty armour lining
- special paint coatings
- various drive options
- special screens made to order



- Medium Duty
- Heavy Duty
- Extra Heavy Duty
- Scalping Screens
- Standard & Optional Features
- Custom Screens, designed for individual requirements



STANDARD SCREEN SPECIFICATIONS



Screen Size (ft)	Screen Size (mm)	Motor Size (kW)	No of Decks	A	B	C	D	E	F
Medium Duty 20°									
6 x 3	1800 x 900	2.2	1	1913	300	1205	1435	673	880
		2.2	2	1913	300	1205	1435	673	880
6 x 4	1800 x 1200	2.2	1	1913	300	1505	1435	673	1180
		2.2	2	1913	300	1505	1435	673	1180
		2.2	3	1944	402	1505	1767	955	1180
8 x 4	2400 x 1200	3	1	2560	296	1505	1672	672	1180
		3	2	2560	296	1505	1672	672	1180
		3	3	2560	421	1505	1991	934	1180
10 x 4	3000 x 1200	4	1	3124	296	1505	1880	680	1180
		4	2	3124	296	1505	1880	680	1180
Heavy Duty 18°									
8 x 4	2400 x 1200	4	1	2679	309	1706	2063	1093	1200
		4	2	2679	309	1706	2063	1093	1200
		5.5	3	2648	416	1706	2391	1421	1200
10 x 4	3000 x 1200	5.5	1	3219	309	1706	2249	1093	1200
		5.5	2	3219	309	1706	2249	1093	1200
		7.5	3	3219	416	1706	2577	1421	1200
12 x 4	3600 x 1200	7.5	1	3790	309	1706	2434	1093	1200
		7.5	2	3790	309	1706	2434	1093	1200
		11	3	3790	416	1684	2810	1469	1200
10 x 5	3000 x 1500	7.5	1	3029	309	2006	2249	1093	1500
		7.5	2	3029	309	2006	2249	1093	1500
		11	3	3029	416	2006	2577	1421	1500
12 x 5	3600 x 1500	7.5	1	3790	309	2006	2434	1093	1500
		7.5	2	3790	309	2006	2434	1093	1500
14 x 5	4200 x 1500	11	1	4361	309	2006	2668	1141	1500
		11	2	4361	309	2006	2668	1141	1500
Extra Heavy Duty 18°									
12 x 5	3600 x 1500	11	3	3790	437	1984	2876	1535	1500
		11	1	4361	331	1984	2731	1208	1500
		11	2	4361	331	1984	2731	1208	1500
14 x 5	4200 x 1500	11	3	4361	438	1984	3062	1536	1500
		11	1	4931	331	1984	2931	1212	1500
		11	2	4931	331	1984	2931	1212	1500
16 x 5	4800 x 1500	15	3	4931	401	1984	3259	1540	1500
		15	1	4361	331	2284	2734	1208	1800
14 x 6	4200 x 1800	15	2	4361	331	2284	2734	1208	1800
		15	3	4361	438	2284	3062	1536	1800

11 Waihou Street | Private Bag 4072 | Matamata 3440 | New Zealand
 phone +64 7 881 9188 or 0800 735 305 | fax + 64 7 888 6856
 email sales@rocktec.co.nz | website www.rocktec.co.nz

ROCKTEC
 Rock Technology